

Stationary HF-welding machines

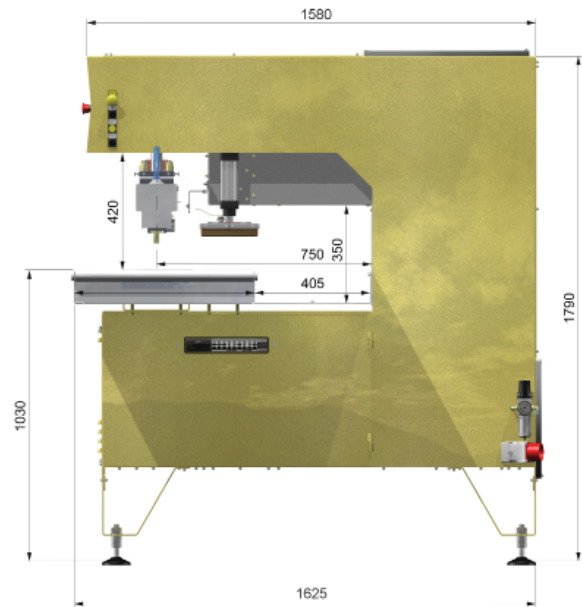
for all kinds of PVC / PU products



machines | equipment | expertise | service

FORSSTROM

High quality equipment



Forsstrom TX

Forsstrom TX is a reliable and efficient high frequency (HF) welding machine with up to 500 cm² weld area. The well-balanced machine can both be used as a stand-alone or as a complement to a larger system of welding machines.

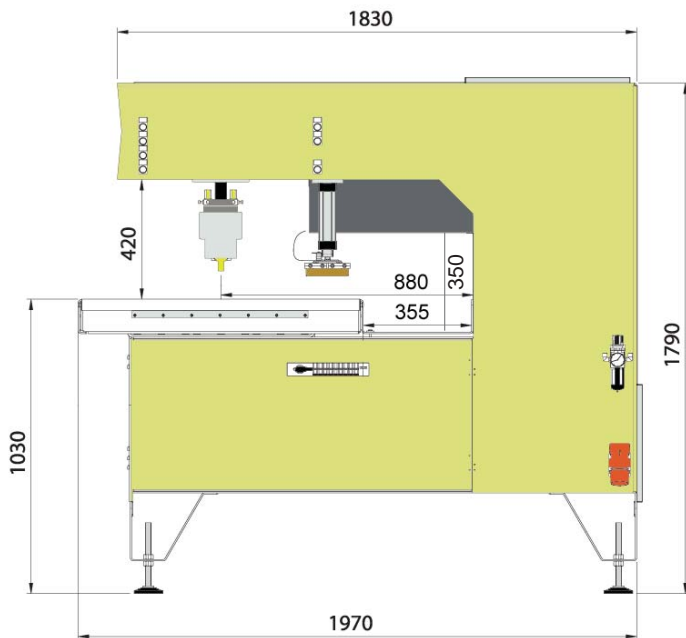
One big advantage with the TX is the generous free space of 750 mm behind the electrode. With access from three sides, it enables optimized material handling. With carefully chosen components, the TX offers good conditions for qualitative HF-welding.

- Reliable machine with up to 500 cm² weld area
- 3-side access for optimized material handling
- Well-balanced and efficient stand-alone machine

Technical data

- **Maximum welding area per working cycle:**
200-500 cm²
- **Maximum power output per working cycle:**
5-12 kW
- **Tool holder:**
1000-1400 mm
- **Welding table with rolls on side:**
1445 x 635 mm, trough 405 x 115 mm
- **4-hand start**
- **Weight of machine:**
750 kg
- **Main fuse (type D):**
32-40 A
- **Maximum pressure, at min 7 bar:**
1400 kg
- **Daylight (with a 45 mm high electrode):**
75 mm
- **Maximum weldable tool width:**
200 mm
- **Accessories:**
Rolls on table front, foot pedal, wheels, laser, impulse welding unit
- **Programs:**
OMS, WSS with 4 easy access speed settings
- **Measurements:**
W: 1445 mm, D: 1625 mm, H: 1790 mm

Stationary machines



Technical data

- **Maximum welding area per working cycle:**
400-800 cm²
- **Maximum power output per working cycle:**
10-20 kW
- **Tool holder:**
1000-1400 mm
- **Welding table:**
1445 x 1030 mm, trough 355 x 115 mm
- **4-hand start**
- **Weight of machine:**
1080 kg
- **Main fuse (type D):**
32-63 A
- **Maximum pressure, at min 7 bar:**
1400/2700 kg
- **Daylight (with a 45 mm high electrode):**
75 mm
- **Maximum weldable tool width:**
450 mm
- **Accessories:**
Rolls on table, foot pedal, wheels, laser, impulse welding unit, iQ
- **Programs:**
OMS, WSS, EMP
- **Measurements:**
W: 1445 mm, D: 1970 mm, H: 1790 mm

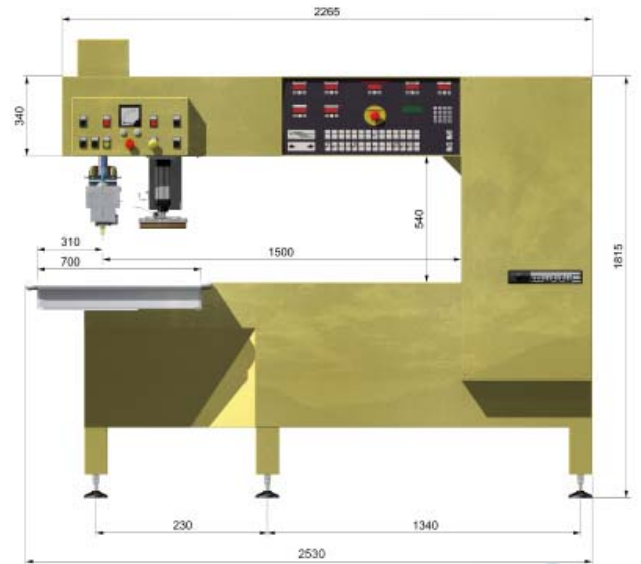
Forsstrom TX-Mega

Forsstrom TX-Mega is a larger model of the popular HF welding machine TX. The powerful TX-Mega has been developed to weld volume products and can weld an area of up to 800 cm². TX-Mega has a wider welding table and extra large space behind the electrode compared to the sister machine TX (890 mm instead of TX 750 mm). Additionally, the TX-Mega has larger space between the electrode holder and the earth electrode. The machine has been equipped with Forsstrom's large computer with the capacity of saving up to 1000 weld settings.

The machine can be used as stand-alone, or as a complement to a larger system of welding machines.

- Powerful machine with 800 cm² weld area at 20 kW
- Weldable tool width is 450 mm
- 2700 kg maximum pressure

High quality equipment



1500 mm

Extra space behind the welding tool

Forsstrom DR

Forsstrom DR is a stationary HF-welding machine suitable for welding large products. The DR has extra generous space behind the welding tool (1500 mm) and offers possibilities to work from three sides of the welding table.

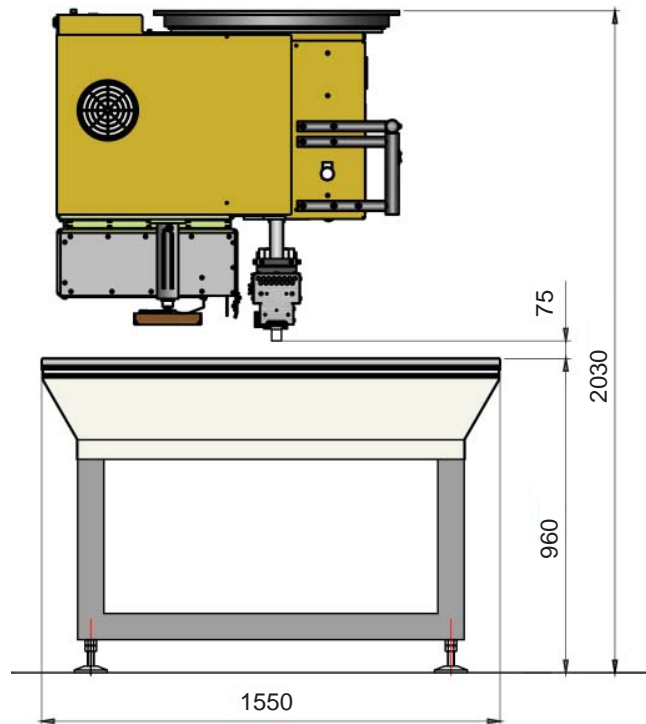
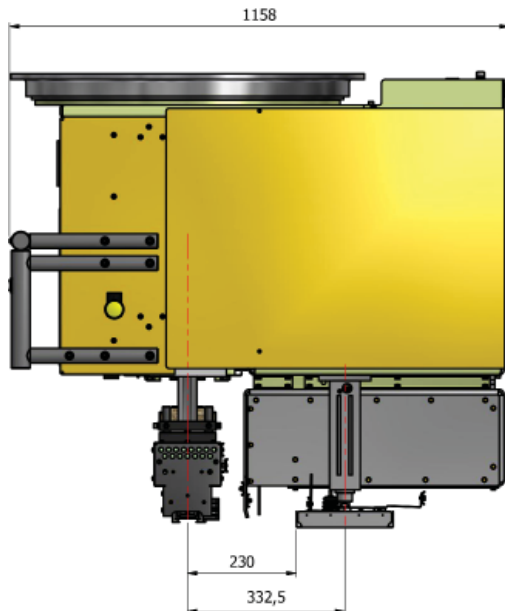
The undercarriage of the table is tapered, which simplifies working while seated. Forsstrom DR has a mechanical and adjustable stop of the depth sink. In the depth sink you can safely place non-reinforced material for the production of for example pool liners and covers.

- Mechanical and adjustable stop of depth sink
- Higher daylight
- Extra large gap behind the welding tool: 1500 mm

Technical data

- **Maximum welding area per working cycle:** 200-500 cm²
- **Maximum power output per working cycle:** 5-12 kW
- **Tool holder:** 1000-1400 mm
- **Welding table:** 1445 x 860 mm
- **4-hand start**
- **Weight of machine:** 1500 kg
- **Main fuse (type D):** 32-40 A
- **Maximum pressure, at min 7 bar:** 860 kg
- **Daylight (with a 45 mm high electrode):** 160 mm
- **Maximum weldable tool width:** 200 mm
- **Accessories:** Rolls on table, foot pedal, wheels, front mounted operator panel, iQ
- **Programs:** OMS, WSS, EMP
- **Measurements:** W: 1445 mm, D: 2530 mm, H: 1815 mm

Stationary machines



Technical data

- **Maximum welding area per working cycle:**
300-800 cm²
- **Maximum power output per working cycle:**
8-20 kW
- **Tool holder:**
1000-1400 mm
- **Welding table:**
Customer adapted length and width, H: 960 mm
- **2-hand start**
- **Weight of machine:**
800 kg
- **Main fuse (type D):**
32-63 A
- **Maximum pressure, at min 7 bar:**
1400 kg / 2700 kg
- **Daylight (with a 45 mm high electrode):**
Customer adapted
- **Maximum weldable tool width:**
350 mm
- **Accessories:**
360° manual rotation, welding table, machine suspension system, rolls on table, oil-tempered tool holder, iQ
- **Programs:**
OMS, WSS, EMP
- **Measurements:**
W: 1265 mm, D: 1158 mm, H: 947 mm

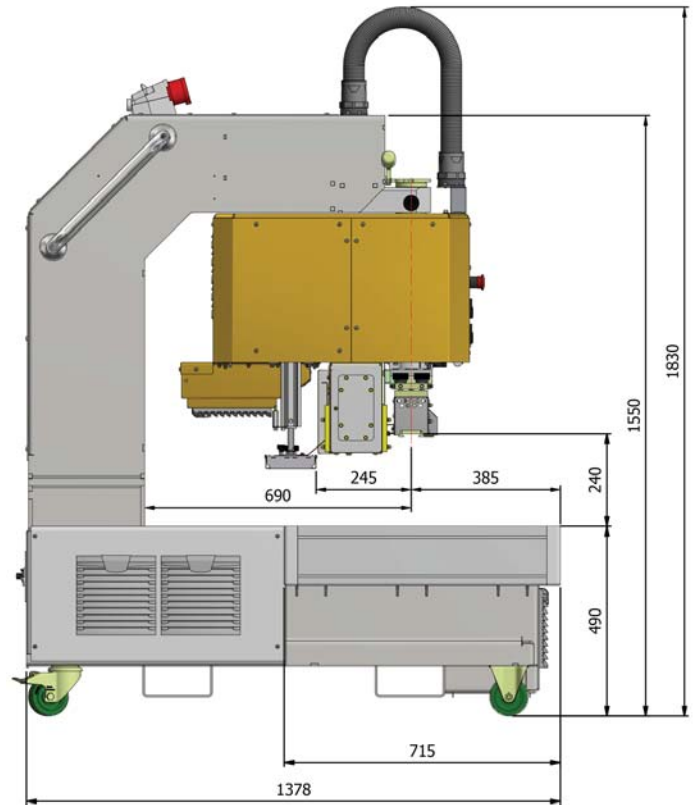
Forsstrom TDO

Forsstrom TDO consists of a suspended HF-generator with a welding press. The suspended machine head provides work space on all sides of the machine. This makes the model suitable for manufacturing large products or products that require many welding operations, such as tents, structures and inflatable products. The weld width is up to 350 mm.

Forsstrom TDO can be equipped with a 360° manual rotation. This saves time in the production as it reduces material handling.

- Simplified handling of large material volumes
- Suspended machine with workspace on all sides
- Can be equipped with 360° manually rotating machine head

High quality equipment



Forsstrom MG-Flex

Forsstrom MG-Flex 300 (8 kW) is a compact HF-welding machine with a welding head that can rotate 180°, which is a helpful tool in the HF-welding process. This makes it easy for the operators to join heavy materials.

To increase the manufacturing efficiency, MG-Flex has several unique features; such as a Z-guide for controlling overlaps up to 80 mm in width, increased lift height of welding head (daylight) of 190 mm, Forsstrom's latest developed software and computer with a 12 inch touch-screen.

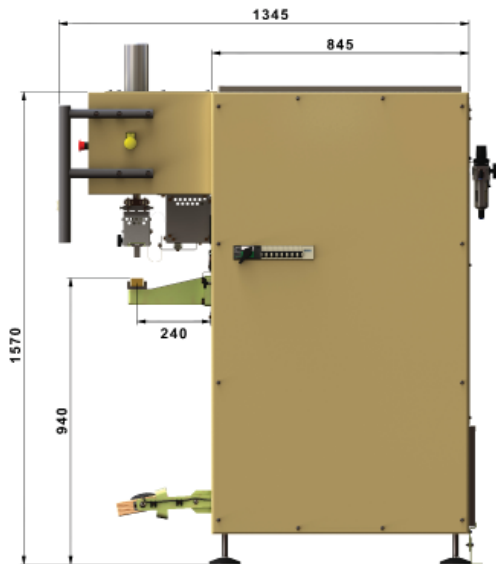
With its great flexibility, Forsstrom MG-Flex creates new production possibilities.

- Movable on wheels for joining large and heavy panels
- Manual 180° rotation of machine head
- Table with Z-guide for enabling large overlap
- 190 mm daylight

Technical data

- **Maximum welding area per working cycle:**
300 cm²
- **Maximum power output per working cycle:**
8 kW
- **Tool holder:**
500 mm
- **Welding table:**
715 x 950 mm
- **4-hand start**
- **Weight of machine:**
590 kg
- **Main fuse (type D):**
32 A
- **Maximum pressure, at min 7 bar:**
700 kg
- **Daylight (with a 45 mm high electrode):**
195 mm
- **Maximum weldable tool width:**
350 mm
- **Accessories:**
Built-in compressor, stand, pedal, magnet table, iQ
- **Programs:**
OMS, WSS, EMP
- **Measurements:**
W: 848 mm, D: 1450 mm, H: 1550 (1830) mm

Stationary machines



Technical data

- | XP 80 | XP 120 |
|--|---------------------------------------|
| • Maximum welding area per working cycle:
80 cm ² | 120 cm ² |
| • Maximum power output per working cycle:
2 kW | 3 kW |
| • Tool holder:
200 mm | 400 mm |
| • Free arm:
45 x 240 mm | Welding table:
500 x 580 mm |
| • 2-hand start | 2-hand start |
| • Weight of machine:
550 kg | 550 kg |
| • Main fuse (type D):
25 A | 25 A |
| • Maximum pressure, at min 7 bar:
350 kg | 350 kg |
| • Daylight (with a 45 mm high electrode):
65 mm | 60 mm |
| • Maximum weldable tool width:
40 mm | 120 mm |
| • Accessories:
Removable table, iQ, eyelet press socket | eyelet press socket, iQ |
| • Programs:
OMS, WSS, EMP | |
| • Measurements:
W: 855 mm, D: 1345 mm, H: 1570 mm | |

Forsstrom XP

The stationary HF-welding machine Forsstrom XP has been developed for complex and detailed welding. It can weld with as small tools as 1 cm². Forsstrom XP is available in three versions: XP 80 with free-arm, XP 120 with welding table and the XPV with a transversely-mounted tool holder. Forsstrom XP is a perfect complement to a travelling machine.

- Suitable for production with complex and detailed welding
- Small, delicate tools are available
- Socket for external eyelet press (optional)

Machine options:

XP 80 with 200 mm electrode holder

- Free arm machine
- Removable support table is optional

XP 120 with 400 mm electrode holder

- Welding table

XPV

- Transversely-mounted tool holder

